

2-way Power Divider

Design	Stripline
Environment	Nominal
Number of Output Ports	2
P / N	PD020180-2N_B
ID	PD00517



2 to 18 GHz 2-way Power Divider Technical Data Sheet

PD020180-2N_B

Features

- Design : Wilkinson
- Stainless Steel Connectors
- Low Insertion Loss 1.3dB
- Number of Output Ports : 2
- RoHS and REACH Compliant
- High Isolation 16dB

Electrical Specifications (For more Power Divider products information, please click [Power Divider](#))

Description	Minimum	Typical	Maximum	Units	Condition
Freq. Range	2		18	GHz	
Nominal Splitter Loss		3.0		dB	
Insertion Loss		0.9	1.3	dB	Excluding Nominal Splitter Loss 3.0dB
Input VSWR		1.4	1.5		
Output VSWR		1.3	1.4		
Amplitude Balance		0.2	0.3	dB	#1
Phase Balance		4	5	deg	#2
Isolation	16	18		dB	
Forward Power			30	W	CW
Reverse Power			1	W	CW
Peak Power			0.5	KW	P-P
Impedance		50		Ohms	
Operating Temp.	-45		+85	°C	Relative Humidity 5 to 95%
Additional Conditions					

: Electronic Specification Note : Values at 25deg , sea level. Test indicators will deteriorate at high and low temperature ;

#1 : All output ports /power combiner in-amplitude (0dB difference) ;

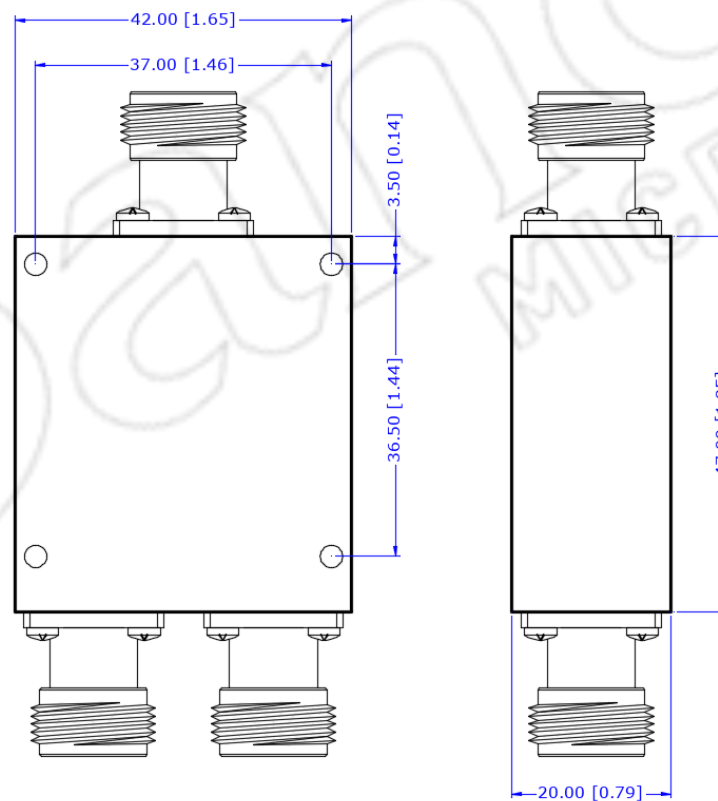
#2 : All output ports /power combiner in-phase (0° difference) ;

Mechanical Specifications

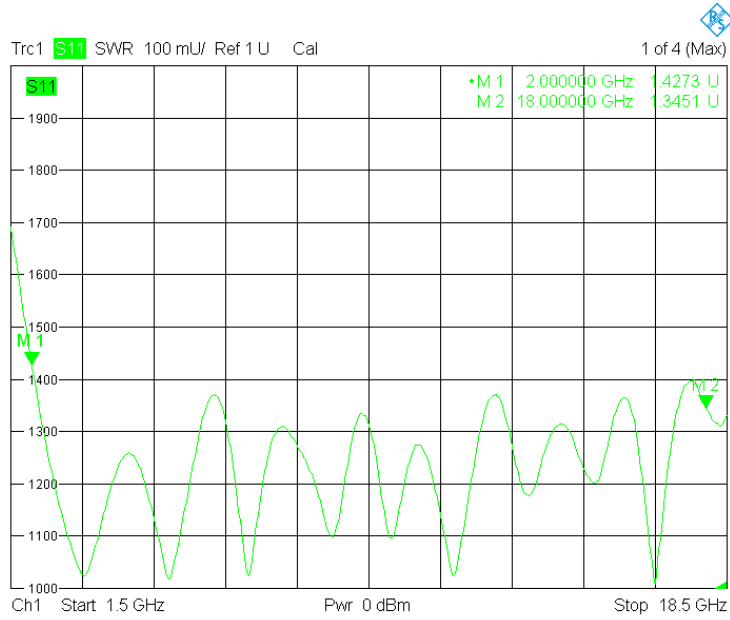
Description	Specification	Note
Cavity Material	Aluminum	
PCB	ROGERS , ARLON or TACONIC	
Dimension L*W*H	47*42*20 mm	
Input Connector	N-Female	Stainless Steel
Output Connectors	N-Female	Stainless Steel
Weight	150 g	
Finishing	Paint Black	
Environment	X	Nominal
RoHS and REACH Compliant	✓	

Outline Drawing

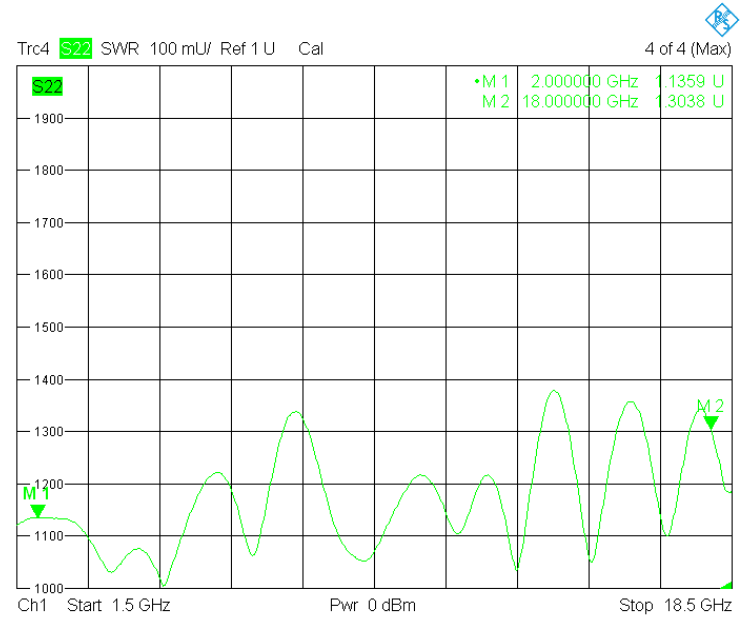
Dimensions are in mm [Inches]
Tolerances : Outline drawing: ±0.2 [0.008],
Hole: ±0.2 [0.008]



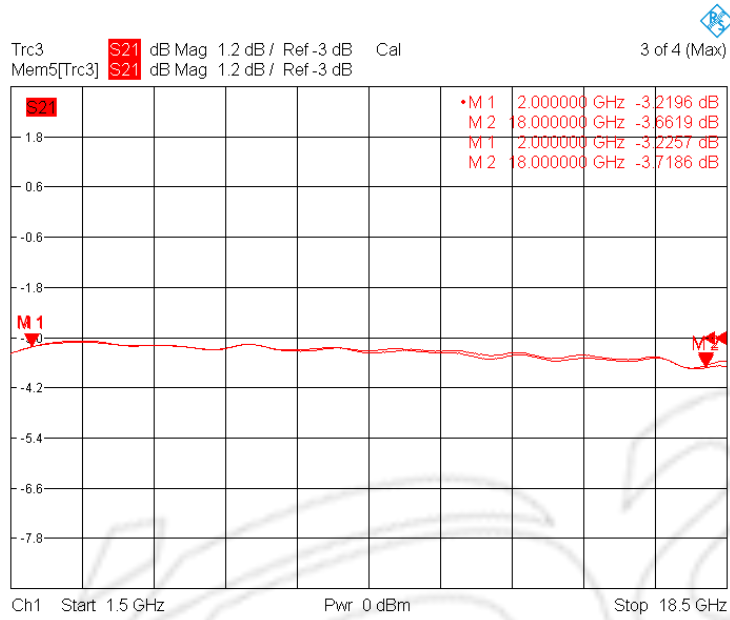
Input Port VSWR



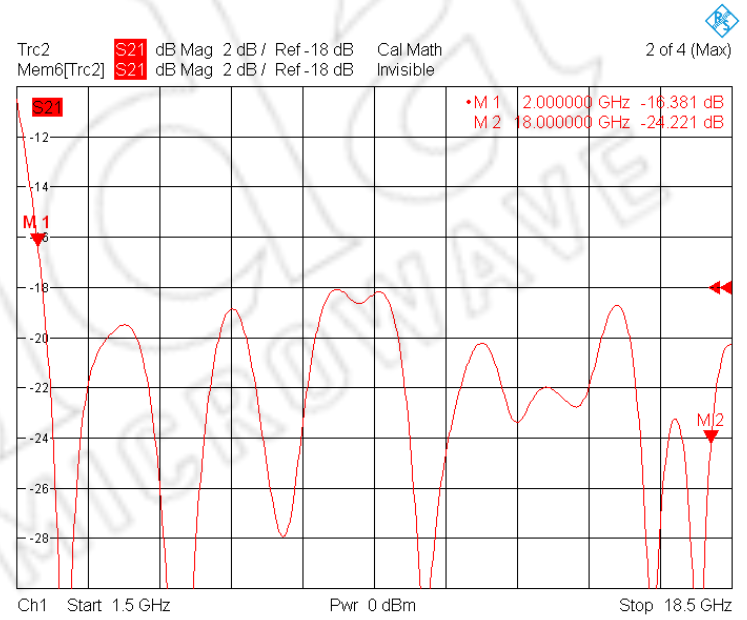
Output Port VSWR



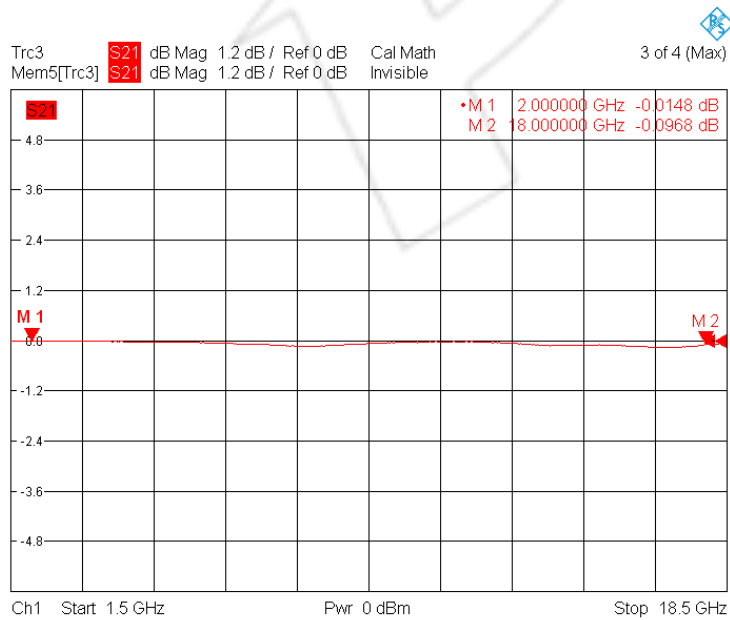
Output Port Insertion Loss



Output Port Isolation



Amplitude Balance



Phase Balance

